



SZ-9207-AC

RRFB Rectangular Rapid Flashing Beacon



AC ENCLOSURE

Enclosure Material	0.08" Type 5052 H-32 aluminum
Enclosure Dimensions (Small)	12" x 12" x 4" (30 x 30 x 10cm)*
Enclosure Dimensions (Large)	16" x 14" x 8" (41 x 36 x 20cm)*
Standards	UL 508 Type 3R, 4, 4X, 12, and 13 CSA Type 3R, 4, 4X, 12, and 13
Compliance	NEMA Type 3R, 4, 4X, 12 and 13 JIC EGP-1-1967 IEC 60529, IP66
Enclosure Colors	Aluminum, Black, Green or Yellow (Custom Colors Available)

AC CONVERTER BRICK SPECIFICATIONS

Dimensions	6.375" x 1.625" x 1.25" @ 0.9 lbs. (16.2 x 4.1 x 15.9cm @ 0.4 kg)*
Power Supply Rating	120 VAC to 15 VDC Class 2 Supply
Standards	IP67, CE Certified, UL Recognised

SYSTEM PROTECTION

Over Current Protection	1.8 Amp PTC auto-reset fuse
Self Monitoring	Visual notification of sub-optimal operation

SINGLE RRFB LIGHTBAR

Standard Followed	ITE VTCSH-STD 2005, SAE J595
RRFB Housing Material	A5052 Sheet Aluminum (Lightbar) 6061-T6 Aluminum (Mount)
LED Size	3" x 7" (76.2 x 177.8mm)* x two per lightbar
Tell Tale LED Size	1" x 2" (25.5 x 51mm)*
Housing Dimensions	24" x 3.0625" x 3.75" (61cm x 7.75cm x 9.5cm)*
Std. LED Color Options	Amber or Red (custom colors available)
RRFB Mount	Universal Jaw Mount Telespar Jaw Mount Side Mount Bracket

COMMUNICATION

Band of Operation	ISM Band (902-928 MHz)
Compliance	FCC and IC Compliant
Range	Up to 0.25 miles (400 m) with line of sight
Network Addresses	16 unique addresses to avoid interference between multiple crosswalk locations
Compatibility	Can communicate with other SZ units

SYSTEM OPTIONS

LED Housing Colors	Black, Green or Yellow (Custom colors available)
--------------------	---

SYSTEM OVERVIEW

Compliance	FHWA MUTCD compliant
Standard (Std.) Operation	Programmed Schedule remotely transmitted from Primary SZ units Pedestrian Activated via push button or SFT remote transmitters
Flash Pattern Options	RRFB Pattern (WW + S) FHWA IA-21 Approved
Activation Duration	Variable from 5 seconds to 4 hours
Std. Operating Temperature	-40°F to +176°F (-40°C to +80°C)
System Voltage	12 VDC
Packaged Dimensions	Varies depending on configuration and installation method

SIGNAL HEAD AND SOLAR ENGINE AVAILABLE WITH STANDARD COLOURS; YELLOW, BLACK, OR GREEN. CUSTOM COLOURS ARE ALWAYS AVAILABLE.



SALES

Toll-Free 1.800.990.2454
sales@jsftech.com

SUPPORT

Toll-Free 1.800.990.2454
support@jsftech.com

ADDRESS

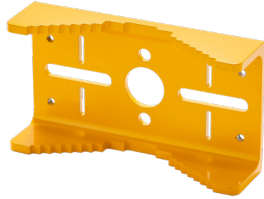
6582 Bryn Road,
Victoria, BC V8M 1X6

WARRANTY 5-year Limited Warranty for defects in workmanship and materials (excludes batteries and vandalism)

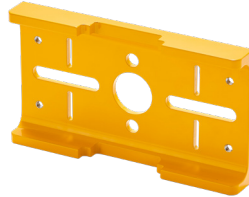
*All measurements and weights are approximate



SZ-9207-AC
RRFB Rectangular Rapid Flashing Beacon



UNIVERSAL JAW MOUNT

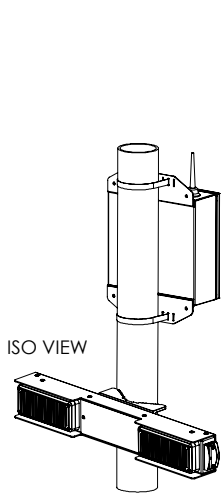


TELESPAR JAW MOUNT

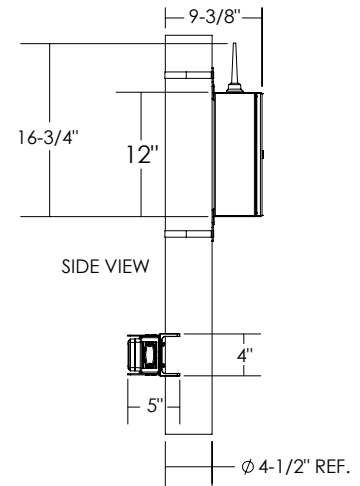
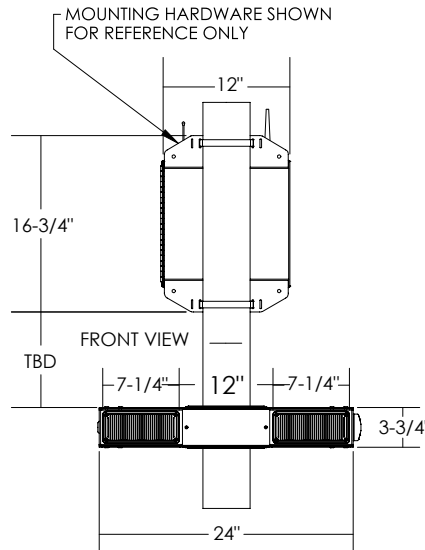


SIDE MOUNT BRACKET

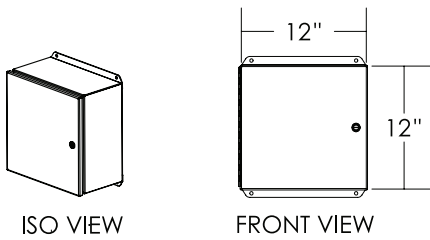
RRFB LIGHTBAR MOUNTING



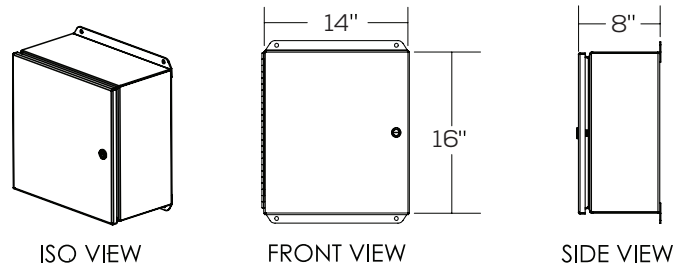
SZ-9207-AC
WITH SMALL AC ENCLOSURE



SMALL AC ENCLOSURE



LARGE AC ENCLOSURE



SYSTEM DRAWINGS