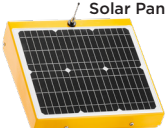


SZ-1400-20W

Safety Zone Programmable/Remote Flashing Beacon



SELF-CONTAINED 20 WATT SOLAR ENGINE

	Solar Panel Solar Cell - Monocrystalline Silicon Rated Power (Pmp) 20 Watts Rated Voltage (Vmp) 18 VDC Rated Current (Imp) 1.1 Amps CE and TUV certified
Solar Angle	7° (Flat) 44° (Standard)
Standard Battery Bank	AGM 12V, 18 Ah - UL Recognized, field replaceable
Cold Weather Battery Bank Option	AGM 12V, 16 Ah - UL Recognized, field replaceable
Solar Engine Housing Material	A5052 Sheet Aluminum (Enclosure) 6061-T6 Aluminum (Mount)
Solar Engine Dimensions	15.75" x 13.25" X 4.5" (40 x 33.7 x 11.5cm)*

POWER MANAGEMENT

Rated Usage	300 cycles per day, 25 second activation
Charged Capacity	Up to 30 days at rated usage
Automatic Light Control (ALC)	Various stages of brightness for different solar conditions and battery levels

SYSTEM PROTECTION

Low Voltage Disconnect	9.5 VDC
Over Current Protection	1.8 Amp PTC auto-reset fuse
Self Monitoring	Visual notification of sub-optimal operation

LED BEACON SIGNAL HEAD

Standard Followed	ITE VTCSH-STD 2005
LED Beacon Signal Head Setup	Single Head, Pole Top Mounting
Lens Material	UV Stabilized Polycarbonate
LED Housing	100% Polycarbonate
LED Size	8" Diameter (200 mm)* 12" Diameter (300mm)*
LED Housing Dimensions	8" head - 14" x 10" x 6" (35 x 25 x 16 cm)* 12" head - 17" x 14" x 6" (44 x 25 x 17 cm)*
Std. LED Color Options	Amber or Red (custom colors available)

COMMUNICATION

Band of Operation	ISM Band (902-928 MHz)
Compliance	FCC and IC Compliant
Range	Up to 0.25 miles (400 m) with line of sight
Network Addresses	16 unique addresses to avoid interference between multiple crosswalk locations
Compatibility	Can communicate with other SZ units

SYSTEM OPTIONS

LED & Solar Engine Housing Colors	Yellow, Black or Green (custom colors available)
Mounting Options	Round Pole Collars: 2.5", 3.5", 5" and 6" Square Wood Post Saddle: 4x4", 6x6" Telespar & U-Channel: 2" Side Mount Bracket: 12", 18" and custom lengths available Custom Mounts Available



AVAILABLE WITH RED LEDS FOR STOP SIGNS, AMBER LEDS FOR WARNING SIGNS

SYSTEM OVERVIEW

Compliance	FHWA MUTCD Compliant
Operation	Programmed Schedule remotely transmitted from Primary SZ units Pedestrian Activated via push button or JSFT remote transmitters
Operation Functions	MUTCD Standard (0.5 seconds ON, 0.5 seconds OFF) JSFT Strobe Energy Efficient Flash Pattern**
Activation Duration	Variable from 5 seconds to 4 hours
Std. Operating Temperature	14°F to +165°F (-10°C to +74°C)
Cold Weather Upgrade Option	-40°F to +176°F (-40°C to +80°C)
System Voltage	12 VDC
Packaged Dimensions	8" head - 22" x 18" x 16" @ 36 lbs (56 x 46 x 41cm @ 16.3 kg)* 12" head - 24" x 18" x 18" @ 38 lbs (61 x 46 x 46cm @ 17.2 kg)*

SIGNAL HEAD AND SOLAR ENGINE AVAILABLE WITH STANDARD COLOURS; YELLOW, BLACK, OR GREEN. CUSTOM COLOURS ARE ALWAYS AVAILABLE.



SALES
Toll-Free 1.800.990.2454
sales@jsftech.com

SUPPORT
Toll-Free 1.800.990.2454
support@jsftech.com

ADDRESS
6582 Bryn Road,
Victoria, BC V8M 1X6

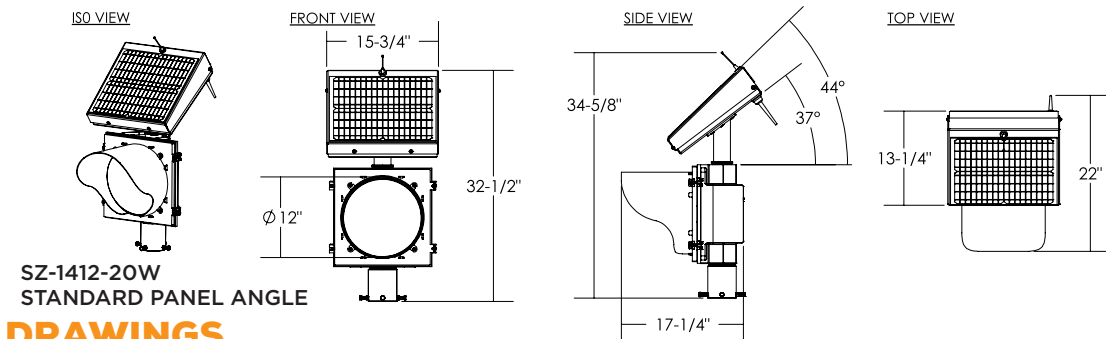
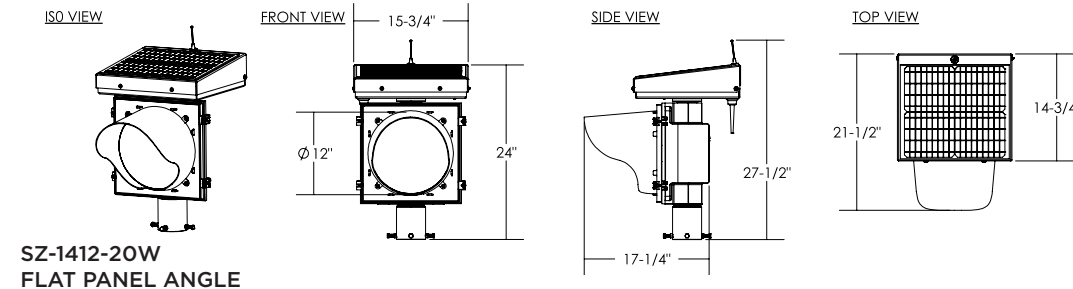
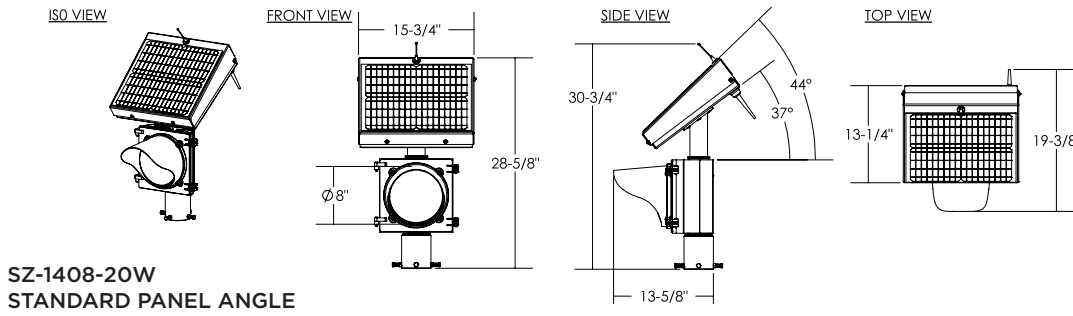
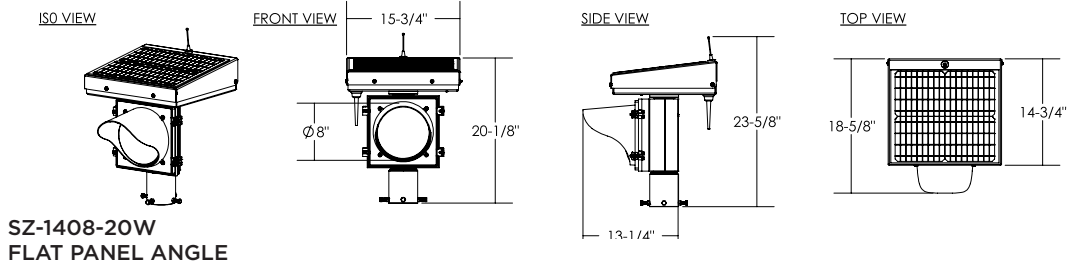
WARRANTY 5-year Limited Warranty for defects in workmanship and materials (excludes batteries and vandalism)

*All measurements and weights are approximate **50% power consumption of MUTCD

SZ-1400-20W
Safety Zone Programmable/Remote Flashing Beacon



MOUNTING OPTIONS



SYSTEM DRAWINGS