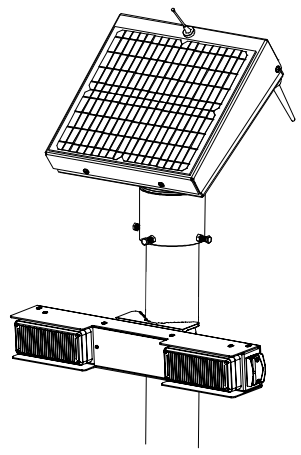
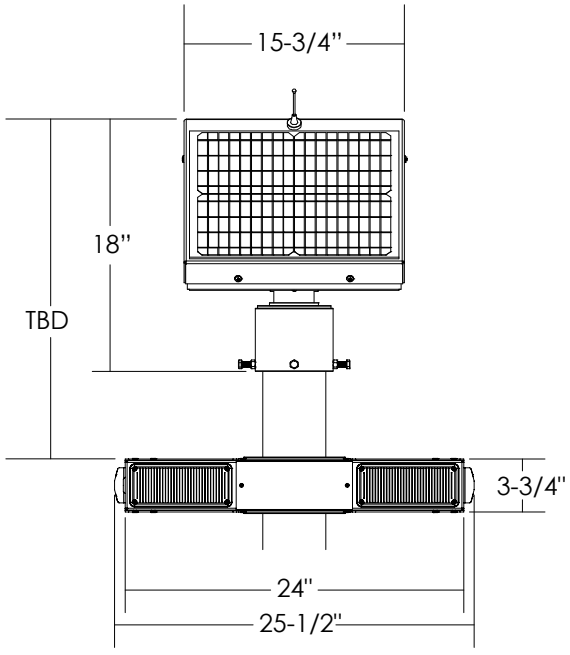


ISO VIEW



FRONT VIEW



SIDE VIEW

