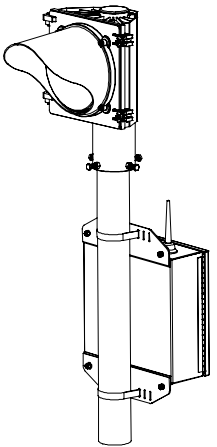
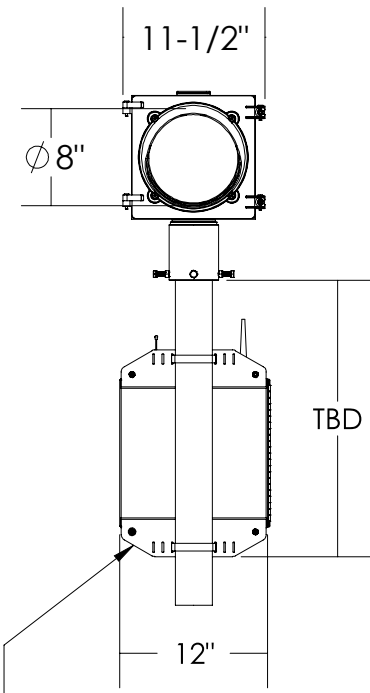


ISO VIEW

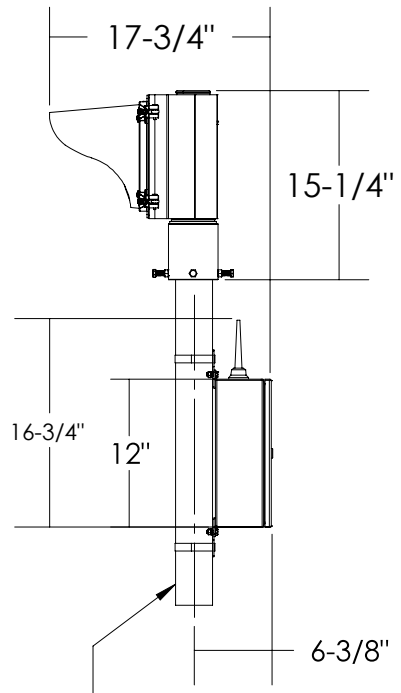


FRONT VIEW



MOUNTING HARDWARE
SHOWN FOR REF. ONLY

SIDE VIEW



ϕ 3.0 POLE SHOWN FOR
REFERENCE ONLY