

SZ-5800-40W


Safety Zone Programmable/Remote LED Flashing Signs

SZ SERIES



5800-40W
44° Standard Angle

SELF-CONTAINED 40 WATT SOLAR ENGINE

	Solar Panel Solar Cell - Monocrystalline Silicon Rated Power (Pmp) 40 Watts Rated Voltage (Vmp) 18 VDC Rated Current (Imp) 2.2 A Certifications: CE and TUV certified
	Solar Angle 44° (Standard)
	Standard Battery Bank 2 x AGM 12V, 18 Ah - UL Recognized, field replaceable
	Cold Weather Battery Bank Option 2 x AGM 12V, 16 Ah - UL Recognized, field replaceable
	Solar Engine Housing Material A5052 Sheet Aluminum (Enclosure) 6061-T6 Aluminum (Mount)
	Solar Engine Dimensions 30.875" x 13.25" x 4.5" (78.4 x 33.7 x 11.5cm)*

POWER MANAGEMENT

Rated Usage	300 cycles per day, 25 second activation
Charged Capacity	Up to 30 days at rated usage
Automatic Light Control (ALC)	Various stages of brightness for different solar conditions and battery levels

SYSTEM PROTECTION

Low Voltage Disconnect	9.5 VDC
Over Current Protection	1.8 Amp PTC auto-reset fuse
Self Monitoring	Visual notification of sub-optimal operation

LED ROAD SIGN

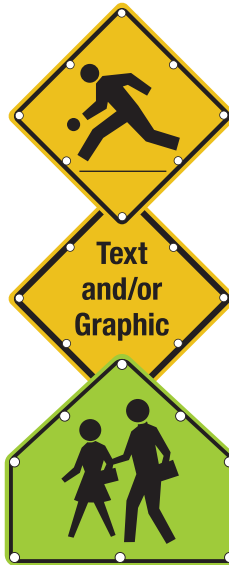
Sign Style	To be determined by customer
Standard Road Sign Sizes	24", 30", 36", or 48" and others upon request
Road Sign Configuration	Single Sign only
Std. LED Configuration	Available in 6 or 8 LEDs per sign
LED Light Output	132 lumens
LED Size	0.75" (20mm)
LED Colors	Amber, Red or White

COMMUNICATION

Band of Operation	ISM Band (902-928 MHz)
Compliance	FCC and IC Compliant
Range	Up to 0.25 miles (400 m) with line of sight
Network Addresses	16 unique addresses to avoid interference between multiple crosswalk locations
Compatibility	Can communicate with other SZ units

SYSTEM OPTIONS

LED & Solar Engine Housing Colors	Yellow, Black or Green (custom colors available)
Mounting Options	Round Pole Collars: 2.5", 3.5", 5" and 6" Square Wood Post Saddle: 4x4", 6x6" Telespar & U-Channel: 2" Side Mount Bracket: 12", 18" and custom lengths available Custom Mounts Available



AVAILABLE WITH ANY STANDARD SIGN. CUSTOM SIGNS ARE AVAILABLE

SYSTEM OVERVIEW

Compliance	FHWA MUTCD Compliant
Standard Operation	Programmed Schedule remotely transmitted from Primary SZ units Pedestrian Activated via push button or JSFT remote transmitters
Flash Pattern Options	MUTCD Standard (0.5 seconds ON, 0.5 seconds OFF) JSFT Strobe Energy Efficient Flash Pattern**
Activation Duration	Variable from 5 seconds to 4 hours
Std. Operating Temperature	14°F to +165°F (-10°C to +74°C)
Cold Weather Upgrade Option	-40°F to +176°F (-40°C to +80°C)
System Voltage	12 VDC

SIGNAL HEAD AND SOLAR ENGINE AVAILABLE WITH STANDARD COLOURS; YELLOW, BLACK, OR GREEN. CUSTOM COLOURS ARE ALWAYS AVAILABLE.



SALES

Toll-Free 1.800.990.2454
sales@jsftech.com

SUPPORT

Toll-Free 1.800.990.2454
support@jsftech.com

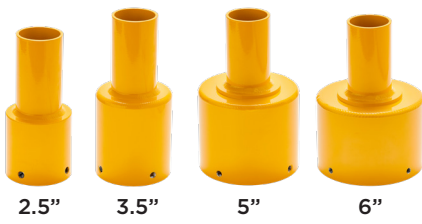
ADDRESS

6582 Bryn Road,
Victoria, BC V8M 1X6

WARRANTY 5-year Limited Warranty for defects in workmanship and materials (excludes batteries and vandalism)

*All measurements and weights are approximate **50% power consumption of MUTCD

SZ-5800-40W
Safety Zone Programmable/Remote LED Flashing Signs



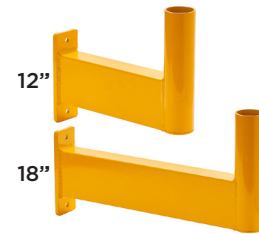
2.5" 3.5" 5" 6"

ROUND POLE MOUNT



4x4" 6x6"

WOOD SADDLE MOUNT

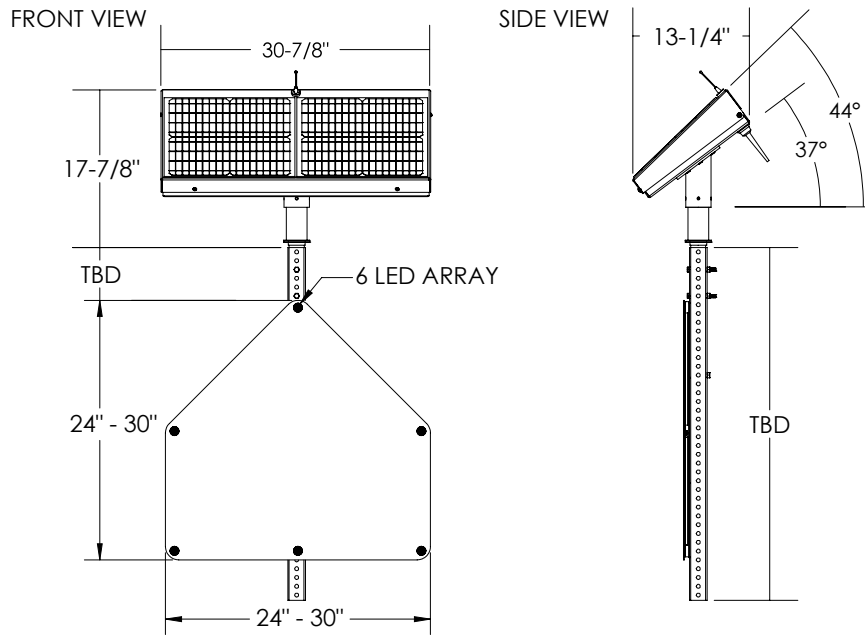


12"
18"
MOUNTING ARMS
(CUSTOM LENGTHS AVAILABLE)



2"
TELESPAR
MOUNT

SOLAR ENGINE MOUNTING OPTIONS



SZ-5800-40W

SYSTEM DRAWINGS