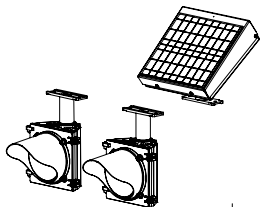
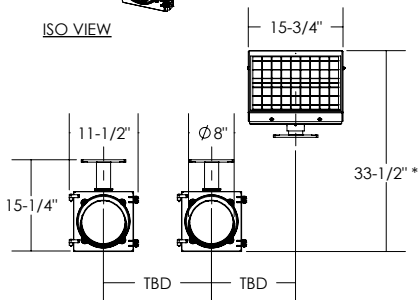


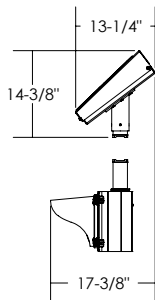
\* - MOUNTED ON A  $\phi 4$ " MAST ARM



ISO VIEW



FRONT VIEW

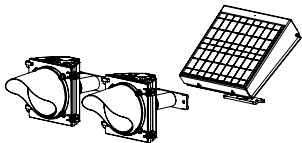


SIDE VIEW

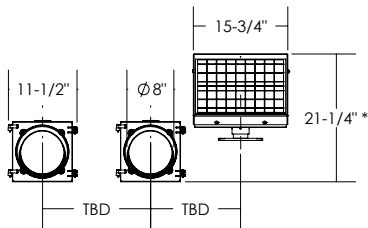
Dimensions are in Inches  $\pm 1/16$ "

FL-3408-DM SPEC 20W, VERTICAL

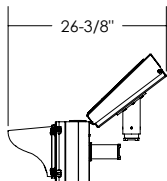
\* - MOUNTED ON A  $\phi 4$ " MAST ARM



ISO VIEW



FRONT VIEW



SIDE VIEW

Dimensions are in Inches  $\pm 1/16$ "

FL-3408-DM SPEC 20W, HORIZONTAL