

**AB-9400** (40W)

**Dual-sided RRFB**



Conforms to FHWA Memorandum IA-21

**RRFB**

- 3-piece system consisting of two light bars and solar engine
- Articulated LED mounts ensure precision aim and positioning
  - Robust aluminum housing protects against the elements

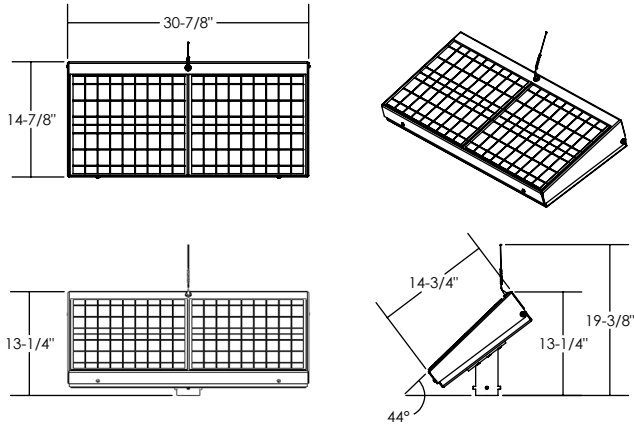
**SOLAR ENGINE**

- Solar engine includes solar panel, battery and control electronics with radio communication
- Elegant, integrated design simplifies installation and resists vandalism
  - Solid aluminum enclosure with durable powder-coated finish

Rectangular-Rapid Flashing Beacon,  
Dual sided: **9400 Series**

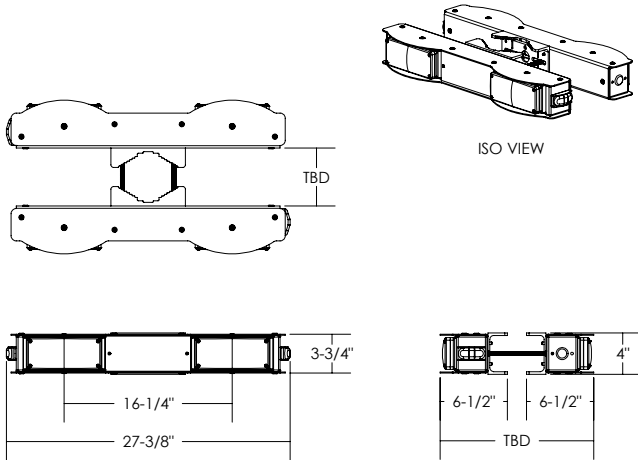
# AB-9400 (40W)

Solar Engine



Dimensions are in Inches  $\pm 1/16$ "

Signal Head (3" x 7" LEDs)



Dimensions are in Inches  $\pm 1/16$ "

9407 SPEC

## SPECIFICATIONS

### SYSTEM OVERVIEW

|                           |   |
|---------------------------|---|
| Certification             | CE and UL certified electrical components, NEMA TS 2-2003 certified, SAE J595 (class 1) & SAE J578 certified LEDs |
| Compliance                | FHWA MUTCD compliant<br>FCC EMC Class A verified  |
| Operation                 | Pedestrian push button or remote activated  |
| Flash patterns            | MUTCD RRFB pulsing pattern (as per IA-21)   |
| Activation duration       | Variable from 5 seconds to 4 hours  |
| Operating temperature     | -40°F to +165°F (-40°C to +74°C)  |
| Controller input voltage  | 12 V DC   |
| Controller output voltage | 9 - 20 V DC   |
| Solar panel               | 40 W nominal 12 V, CE and TUV certified   |
| Battery storage           | AGM 12 V, 36 Ah,<br>UL certified, field replaceable,<br>Optional cold weather battery upgrade                     |
| Alternate power           | AC-compatible<br>includes "Battery Tender® 800"   |

### POWER MANAGEMENT

|                  |   |
|------------------|---|
| Rated usage      | 300 cycles per day, 25 second activation                      |
| Charged capacity | Up to 30 days at rated usage (without charging)               |
| Auto brightness  | Auto brightness for nighttime conditions (no daytime dimming) |
| Self monitoring  | Visual notification of sub-optimal operation                  |

### LED MODULE

|                      |  |
|----------------------|--|
| Standard             | SAE J595 (class 1) & SAE J578 certified                                    |
| Size                 | Approx - 3" x 7"   |
| Horizontal LED pivot | 20° off center   |
| LED color            | Amber  |
| Tell-tale LED        | Amber, approx - 1" x 2" and options include one, two, or none per lightbar |

### COMMUNICATION

|                   |  |
|-------------------|--|
| Type              | ISM spread spectrum radio, 902-928 MHz   |
| Range             | Up to 0.5 miles (800 m) with line of sight                                     |
| Network addresses | 16 unique addresses to avoid interference between multiple crosswalk locations |
| Compatibility     | All AB family units and third-party devices                                    |
| Push buttons      | Polara Bulldog, Polara XAV, Campbell 4EVR, Campbell Guardian AGPS              |

### PHYSICAL DESIGN

|                            |  |
|----------------------------|--|
| Design                     | Three piece system: light bars and solar engine                                |
| Color                      | Black, green or yellow<br>Custom colors also available                         |
| Signal head & solar engine | 6061-T6 powder coated aluminum   |
| Weight                     | Approx - 65 lbs. (29 kg)   |
| Available mounting for     | Round pole: 2" - 8"<br>Square post: 4", 6", 4"x 6"<br>Telespar & U-Channel: 2" |

### WARRANTY

5-year Limited Warranty for defects in workmanship and materials (excludes batteries and vandalism)

## CONTACT



JSF Technologies is backed by a select group of resellers around the globe. To find a representative in your region please contact us:

Rev C.2 — November 7, 2018

\*Specifications subject to change without notice.

1.250.544.1640

1.800.990.2454

www.jsftech.com

