

# FL-3408, FL-3412 (40W)

**Horizontal Mast Arm Dual Heads**



## BEACON HEAD

- 2-piece 100% polycarbonate signal housing
- Lightweight
- UV stabilized for longevity and non-fading colour
- Reinforced with steel Redi-Rod for greater strength

## SOLAR ENGINE

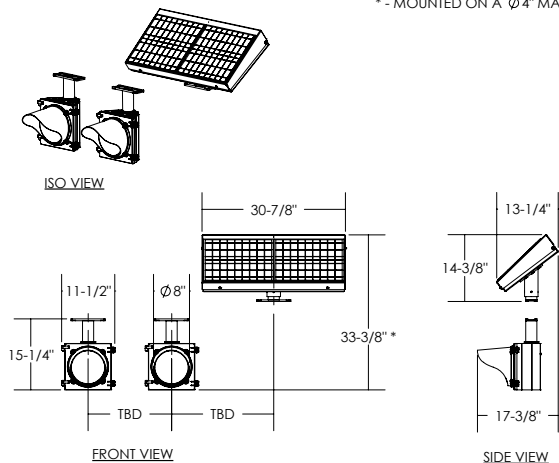
- Solar engine includes solar panel, battery and control electronics
- Elegant, integrated design simplifies installation and resists vandalism
- Solid aluminum enclosure with durable powder-coated finish

## 24-Hour Flashing Beacon: 3400 Series

# FL-3408 (40W)

Dual 8", overhead mounting.

\* - MOUNTED ON A Ø4" MAST ARM

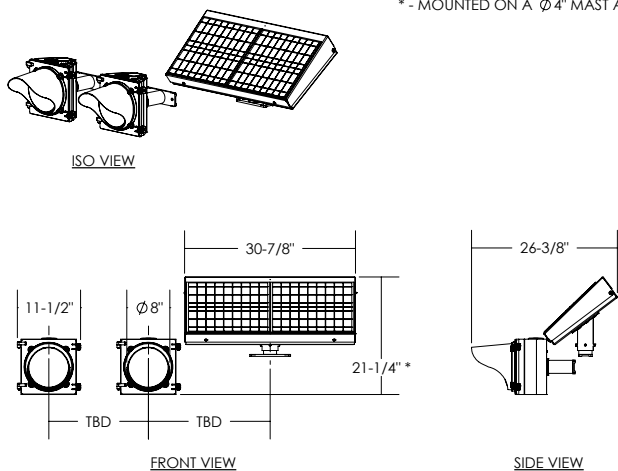


Dimensions are in Inches  $\pm 1/16''$

# FL-3412 (40W)

Dual 12", overhead mounting.

\* - MOUNTED ON A Ø4" MAST ARM



Dimensions are in Inches  $\pm 1/16''$

## SPECIFICATIONS

### SYSTEM OVERVIEW

Certification	CE and UL certified electrical components
Compliance	FHWA MUTCD compliant FCC EMC Class A verified
Operation	Continuous, 24-hours a day, 365 days a year Dawn to dusk & dusk to dawn settings also available
Flash patterns	MUTCD (0.5 second on, 0.5 second off) or JSF Tech High Visibility Strobe Pattern
Variations	Synchronized or Wig-Wag (alternating)
Operating temperature	-40°F to +165°F (-40°C to +74°C)
Controller input voltage	12 V DC
Solar panel	40 W nominal 12 V, CE and TUV certified
Battery storage	AGM 12 V, 36 Ah, UL certified, field replaceable, Optional cold weather battery upgrade
Alternate power	AC-compatible Includes Battery Tender® 800

### POWER MANAGEMENT

Charged capacity	Up to 30 days (without charging)
Auto brightness	6 stages of brightness for different light conditions and battery levels
Customizable	Can be equipped with output wire for switch or connection to 3rd-party device
Self monitoring	Visual notification of sub-optimal operation

### LED MODULE

Standard	ITE VTCSH-STD 2005
Lens	100% UV-stabilized polycarbonate and abrasion resistant
Size	8" or 12" diameter (200 mm or 300 mm)
LED color	Amber or red

### PHYSICAL DESIGN

Configuration	Fully self-contained
Color	Black, green or yellow Custom colors also available
Solar engine	6061-T6 powder coated aluminum
Signal housing	100% Polycarbonate
Weight	Approx - 8": 64 lbs (29 kg) 12": 70 lbs (32 kg)
Available mounting	Horizontal overhead side mount bracket

### WARRANTY

5-year Limited Warranty for defects in workmanship and materials  
(excludes batteries and vandalism)

## CONTACT



JSF Technologies is backed by a select group of resellers around the globe. To find a representative in your region please contact us:

1.250.544.1640

1.800.990.2454

www.jsftech.com



Rev C.2 — November 5, 2018

\*Specifications subject to change without notice.