

FL-5800 (20W)

LED-Enhanced Signage



*Other sign types, shapes
and sizes also available

SIGN

- 3M™ Diamond Grade™ reflective sheeting with anti-graffiti overlay
- Machined aluminum waterproof pucks securely house superbright LEDs
 - Aluminum rails with marine-grade adhesive discretely sheathe wiring behind sign

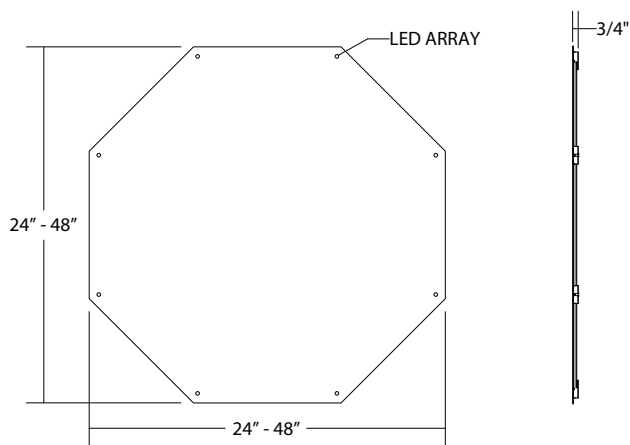
SOLAR ENGINE

- Solar engine includes solar panel, battery and control electronics
- Elegant, integrated design simplifies installation and resists vandalism
 - Solid aluminum enclosure with durable powder-coated finish

24-Hour Flashing
Stop Sign: **5800 Series**

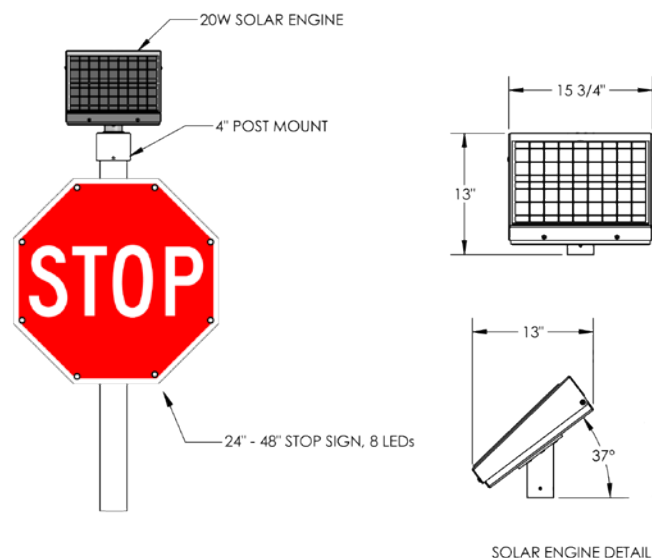
FL-5800 (20W)

Sign: 24", 30", 36" or 48"



Dimensions are in Inches ±1/16"

Solar Engine



24", 30", 36" or 48" STOP SIGN - 20W

SPECIFICATIONS

SYSTEM OVERVIEW

Certification	CE and UL certified electrical components
Compliance	FHWA MUTCD compliant FCC EMC Class A verified
Operation	Continuous, 24-hours a day, 365 days a year Dawn to dusk & dusk to dawn settings also available
Flash patterns	MUTCD (0.5 second on, 0.5 second off) or JSF Tech High Visibility Strobe Pattern
Operating temperature	-40°F to +165°F (-40°C to +74°C)
Controller input voltage	12 V DC
Solar panel	20 W nominal, 12 V, CE and TUV certified
Battery storage	AGM 12 V, 18-36 Ah, UL certified, field replaceable, Optional cold weather battery upgrade
Alternate power	AC-compatible Includes Battery Tender® 800

POWER MANAGEMENT

Charged capacity	Up to 30 days (without charging)
Auto brightness	6 stages of brightness for different light conditions and battery levels
Customizable	Can be equipped with output wire for switch or connection to 3rd-party device
Self monitoring	Visual notification of sub-optimal operation

LED MODULE

Light output	132 lumens
Size	0.75" (20mm)
LED color	Red or amber

PHYSICAL DESIGN

Configuration	LED sign with separate solar engine
Sign size (square)	24", 30", 36", or 48" and others upon request
Solar engine	6061-T6 powder coated aluminum
Solar engine color	Black, green or yellow Custom colors also available
Solar engine weight	Approx - 38 lbs. (17 kg)
Mounting options	Round pole: 2', 3.5", 4.5" Square post: 4", 6", 4"x 6" Telespar and U-Channel: 2"

WARRANTY

5-year Limited Warranty for defects in workmanship and materials (excludes batteries and vandalism)

CONTACT



JSF Technologies is backed by a select group of resellers around the globe. To find a representative in your region please contact us:

1.250.544.1640

1.800.990.2454

www.jsftech.com



Rev C.2 — November 5, 2018

*Specifications subject to change without notice.