

SZ-2408, SZ-2412 (40W)

SZ-2408-P, SZ-2408-S, SZ-2412-P, SZ-2412-S

Pole-top or Side-mounted Dual Heads



BEACON HEAD

- 2-piece 100% polycarbonate signal housings
- Lightweight
- UV stabilized for longevity and non-fading colour
- Reinforced with steel Redi-Rod for greater strength

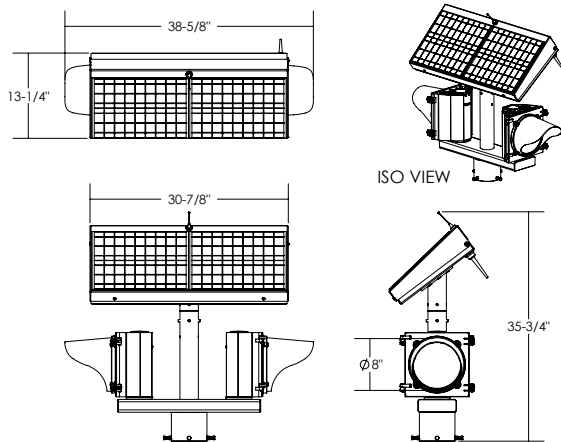
SOLAR ENGINE

- Solar engine includes solar panel, battery and control electronics with radio communication
- Elegant, integrated design simplifies installation and resists vandalism
 - Solid aluminum enclosure with durable powder-coated finish
 - Check use of UC/LC Cellular USB programming capability for scheduled flash periods.
- Primary units relay scheduled flash commands to secondary beacons.

Programmable School Zone Beacon: 2400 Series

SZ-2408 (40W)

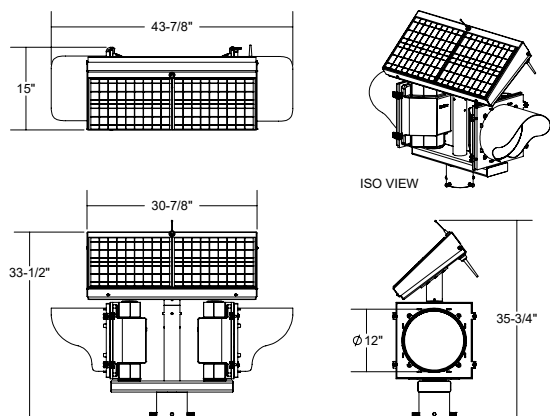
Dual 8", pole top mounting.



Dimensions are in Inches $\pm 1/16"$

SZ-2412 (40W)

Dual 12", pole top mounting.



Dimensions are in Inches $\pm 1/16"$

*JSF Technologies is not responsible for interruptions or lack of communication quality with cellular carriers, nor are we responsible for termination of carrier services in a given area.

SPECIFICATIONS

SYSTEM OVERVIEW

Certification Compliance	CE and UL certified electrical components FHWA MUTCD compliant FCC EMC Class A verified
Operation	Programmable schedule and Mobile device activation
Flash patterns	MUTCD (0.5 second on, 0.5 second off) or JSF Tech High Visibility Strobe Pattern Synchronized or Wig-Wag (alternating)
Variations	-40°F to +165°F (-40°C to +74°C)
Operating temperature	12 V DC
Controller input voltage	40 W nominal 12 V, CE and TUV certified AGM 12 V, 18 Ah, UL certified, field replaceable, Optional cold weather battery upgrade
Solar panel	AC-compatible
Battery storage	includes "Battery Tender® 800"
Alternate power	Reporting on battery levels, activations, beacon state, GPS location, etc.
Diagnostics	

POWER MANAGEMENT

Rated usage	120 mins of activation per day (average) or more
Charged capacity	Up to 30 days at rated usage (without charging)
Auto brightness	6 stages of brightness for different light conditions and battery levels
Self monitoring	Visual notification of sub-optimal operation

LED MODULE

Standard	ITE VTCSH-STD 2005
Lens	UV stabilized polycarbonate and Abrasion resistant
Size	8" or 12" diameter (200 mm or 300 mm)
LED color	Amber
Additional LEDs	Optional tell tale LED (amber, approx - 1" x 2") Optional additional signal head for pedestrian confirmation

COMMUNICATION: INTER-BEACON

Between beacons	ISM spread spectrum radio, 902-928 MHz
Range	Up to 0.5 miles (800 m) with line of sight
Network addresses	16 unique addresses to avoid interference between multiple crosswalk locations
Compatibility	All SZ family beacons

COMMUNICATION: PRIMARY BEACONS (-P)

Incoming commands	Cellular communication* or via direct USB connection
GPS	GPS, GNSS and GLONASS compatibility and Time synchronization

A primary beacon receives and stores preset schedules from the JSF Tech Beacon App and receives instant activation messages from authorized users.

COMMUNICATION: SECONDARY BEACONS (-S)

Incoming commands	Relies on the primary beacon's commands
<i>A secondary beacon relies on its primary beacon for all activation commands.</i>	

PHYSICAL DESIGN

Configuration	Fully self-contained
Color	Black, green or yellow Custom colors also available
Solar engine	6061-T6 powder coated aluminum
Signal housing	100% Polycarbonate
Weight	Approx - 8": 62 lbs (28 kg) 12": 68 lbs (31 kg)
Available mounting for	Round pole: 2", 3", 4.5" Square post: 4", 6", 4"x 6" Mid-pole side mount Telespar & U-Channel: 2"

WARRANTY

5-year Limited Warranty for defects in workmanship and materials (excludes batteries and vandalism)

CONTACT



JSF Technologies is backed by a select group of resellers around the globe. To find a representative in your region please contact us:

1.250.544.1640

1.800.990.2454

www.jsftech.com



Rev C.2 — November 7, 2018

*Specifications subject to change without notice.