

## **SZ-3408, SZ-3412 (40W)**

SZ-3408-P, SZ-3408-S, SZ-3412-P, SZ-3412-S

**Horizontal Mast Arm Dual Heads**



JSFT Programmable Beacons can be installed anywhere with cellular reception\* or in places without, via direct connection. A preset flash schedule can be created using the web-based JSF Tech Beacon App and sent to the beacons wirelessly online, or with a laptop and USB with our offline scheduler. Beacons can also be activated using a cellular-enabled mobile device. The programming can store multiple years and varying schedules, and diagnostic information can be accessed from cellular Primary Beacons.

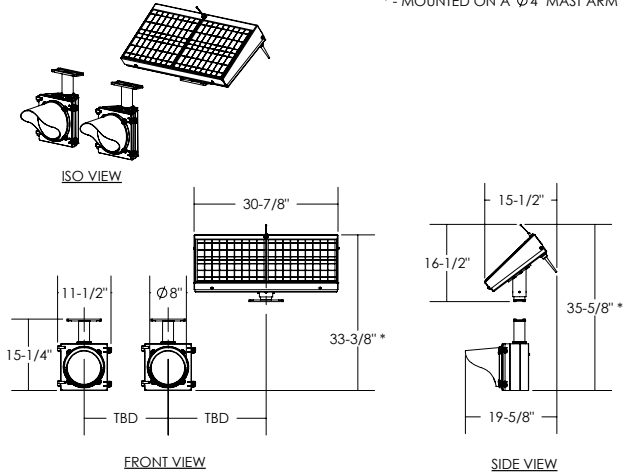
Each Programmable Beacon set consists of two beacon types: Primary and Secondary. The Primaries store the programmed flash schedule and, if cellular-enabled, contain modems. The Secondaries receive daily on/off signals from the Primaries. Any number of Secondary beacons can be linked to a Primary beacon within range. When a Primary receives an activation command, it relays this command to all Secondary beacons within range in the series.

# Programmable School Zone Beacon: 3400 Series

## SZ-3408 (40W)

Dual 8", overhead mounting.

\* - MOUNTED ON A Ø4" MAST ARM



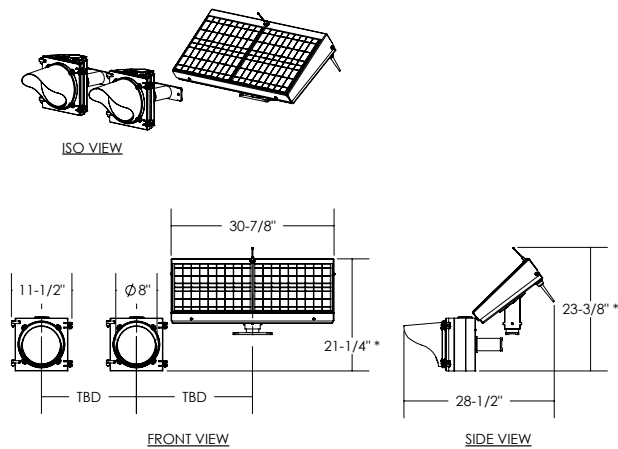
Dimensions are in Inches ±1/16"

Vertical drop mount available for 8" or 12" beacons

## SZ-3412 (40W)

Dual 12", overhead mounting.

\* - MOUNTED ON A Ø4" MAST ARM



Dimensions are in Inches ±1/16"

Standard facing mount available for 8" or 12" beacons

\*JSF Technologies is not responsible for interruptions or lack of communication quality with cellular carriers, nor are we responsible for termination of carrier services in a given area.

## SPECIFICATIONS

### SYSTEM OVERVIEW

Certification Compliance	CE and UL certified electrical components FHWA MUTCD compliant FCC EMC Class A verified
Operation	Programmable schedule and Mobile device activation
Flash patterns	MUTCD (0.5 second on, 0.5 second off) or JSF Tech High Visibility Strobe Pattern Synchronized or Wig-Wag (alternating)
Variations	-40°F to +165°F (-40°C to +74°C)
Operating temperature	12 V DC
Controller input voltage	40 W nominal 12 V, CE and TUV certified
Solar panel	AGM 12 V, 36 Ah, UL certified, field replaceable, Optional cold weather battery upgrade
Battery storage	AC-compatible includes "Battery Tender® 800" Reporting on battery levels, activations, beacon state, GPS location, etc.
Alternate power	
Diagnostics	

### POWER MANAGEMENT

Rated usage	120 mins of activation per day (average) or more
Charged capacity	Up to 30 days at rated usage (without charging)
Auto brightness	6 stages of brightness for different light conditions and battery levels
Self monitoring	Visual notification of sub-optimal operation

### LED MODULE

Standard	ITE VTCSH-STD 2005
Lens	UV stabilized polycarbonate and Abrasion resistant
Size	8" or 12" diameter (200 mm or 300 mm)
LED color	Amber
Additional LEDs	Optional tell tale LED (amber, approx - 1" x 2")

### COMMUNICATION: INTER-BEACON

Between beacons	ISM spread spectrum radio, 902-928 MHz
Range	Up to 0.5 miles (800 m) with line of sight
Network addresses	16 unique addresses to avoid interference between multiple crosswalk locations
Compatibility	All SZ family beacons

### COMMUNICATION: PRIMARY BEACONS (-P)

Incoming commands	Cellular communication* or via direct USB connection
GPS	GPS, GNSS and GLONASS compatibility and Time synchronization

A primary beacon receives and stores preset schedules from the JSF Tech Beacon App and receives instant activation messages from authorized users.

### COMMUNICATION: SECONDARY BEACONS (-S)

Incoming commands	Relies on the primary beacon's commands
A secondary beacon relies on its primary beacon for all activation commands.	

### PHYSICAL DESIGN

Configuration	Fully self-contained
Color	Black, green or yellow Custom colors also available
Solar engine	6061-T6 powder coated aluminum
Signal housing	100% Polycarbonate
Weight	Approx - 8": 64 lbs (29 kg) 12": 70 lbs (32 kg)
Available mounting for	Horizontal overhead side mount bracket

### WARRANTY

5-year Limited Warranty for defects in workmanship and materials (excludes batteries and vandalism)

## CONTACT



JSF Technologies is backed by a select group of resellers around the globe. To find a representative in your region please contact us:

1.250.544.1640

1.800.990.2454

www.jsftech.com



Rev C.2 — November 5, 2018

\*Specifications subject to change without notice.