

SZ-9407-P, SZ-9407-S (20W)

Dual-Sided RRFB



Conforms to FHWA Memorandum IA-21

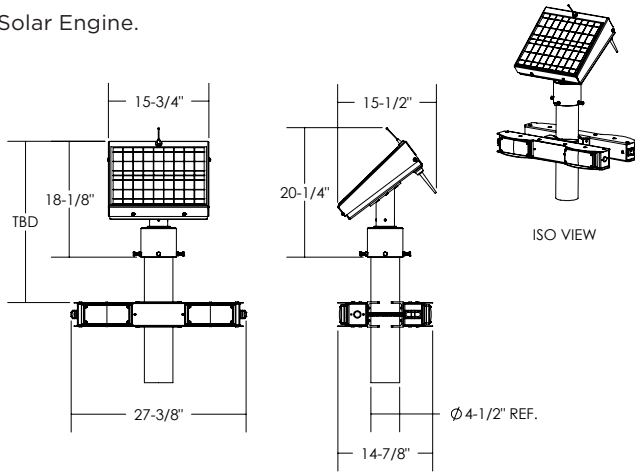
JSFT Programmable Beacons can be installed anywhere with cellular reception* or in places without, via direct connection. A preset flash schedule can be created using the web-based JSF Tech Beacon App and sent to the beacons wirelessly online, or with a laptop and USB with our offline scheduler. Beacons can also be activated using a cellular-enabled mobile device. The programming can store multiple years and varying schedules, and diagnostic information can be accessed from cellular Primary Beacons.

Each Programmable Beacon set consists of two beacon types: Primary and Secondary. The Primaries store the programmed flash schedule and, if cellular-enabled, contain modems. The Secondaries receive daily on/off signals from the Primaries. Any number of Secondary beacons can be linked to a Primary beacon within range. When a Primary receives an activation command, it relays this command to all Secondary beacons within range in the series.

Programmable School Zone
Rectangular Rapid Flashing Beacon
Dual-Sided : **9400 Series**

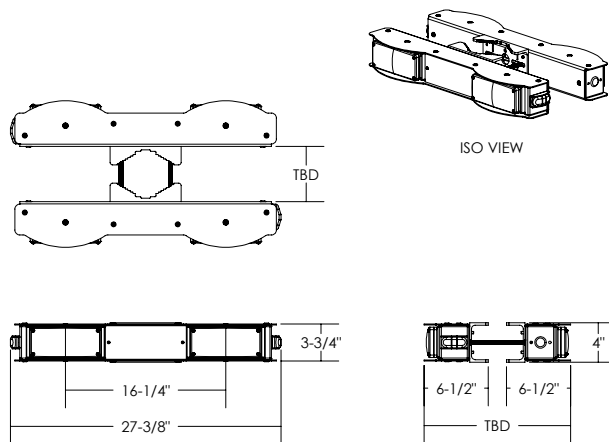
SZ-9407 (20W)

Solar Engine.



Dimensions are in Inches $\pm 1/16''$ SZ-9407 20W SPEC SHEET

4 LED - Double sided (3" x 7" LEDs).



Dimensions are in Inches $\pm 1/16''$ 9407 SPEC

*JSF Technologies is not responsible for interruptions or lack of communication quality with cellular carriers, nor are we responsible for termination of carrier services in a given area.

SPECIFICATIONS

SYSTEM OVERVIEW

Certification	CE and UL certified electrical components, NEMA TS 2-2003 certified, SAE J595 (class 1) & SAE J578 certified LEDs
Compliance	FHWA MUTCD compliant
Operation	FCC EMC Class A verified
Flash pattern	Programmable schedule and Mobile device activation
Operating temperature	MUTCD RRFB Pulsing Pattern (as per IA-21)
Controller input voltage	-40°F to +165°F (-40°C to +74°C)
Solar panel	12 V DC
Battery storage	20 W nominal 12 V, CE and TUV certified AGM 12 V, 18 Ah, UL certified, field replaceable, Optional cold weather battery upgrade
Alternate power	AC-compatible
Diagnostics	includes "Battery Tender® 800" Reporting on battery levels, activations, beacon state, GPS location, etc.

POWER MANAGEMENT

Rated usage	120 mins of activation per day (average) or more
Charged capacity	Minimum of 30 days at rated usage (without charging)
Auto brightness	Auto brightness for nighttime conditions (no daytime dimming)
Self monitoring	Visual notification of sub-optimal operation

LED MODULE

Standard	SAE J595 (Class 1) & SAE J578 certified
Size	Approx - 3" x 7"
Horizontal LED pivot	20° off center
LED color	Amber
Tell-tale LED	Amber, approx - 1" x 2" and options include one, two, or none per light bar

COMMUNICATION: INTER-BEACON

Between beacons	ISM spread spectrum radio, 902-928 MHz
Range	Up to 0.5 miles (800 m) with line of sight
Network addresses	16 unique addresses to avoid interference between multiple locations
Compatibility	All SZ family beacons

COMMUNICATION: PRIMARY BEACONS (-P)

Incoming commands	Cellular communication* or via direct USB connection
GPS	GPS, GNSS and GLONASS compatibility and Time synchronization
<i>A primary beacon receives and stores preset schedules from the JSF Tech Beacon App and receives instant activation messages from authorized users.</i>	

COMMUNICATION: SECONDARY BEACONS (-S)

Incoming commands	Relies on the primary beacon's commands
<i>A secondary beacon relies on its primary beacon for all activation commands.</i>	

PHYSICAL DESIGN

Design	Three piece system: light bars and solar engine
Color	Black, green or yellow Custom colors also available
Signal head	6061-T6 powder coated aluminum
Solar engine	6061-T6 powder coated aluminum
Weight	Approx - 43 lbs. (19 kg)
Available mounting for	Round pole: 2" - 8" Square post: 4", 6", 4"x 6" Side mounting Telespar & U-Channel: 2"

WARRANTY

5-year Limited Warranty for defects in workmanship and materials (excludes batteries and vandalism)

CONTACT



JSF Technologies is backed by a select group of resellers around the globe. To find a representative in your region please contact us:

1.250.544.1640

1.800.990.2454

www.jsftech.com



Rev C.2 — November 5, 2018

*Specifications subject to change without notice.