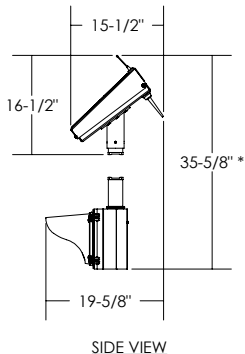
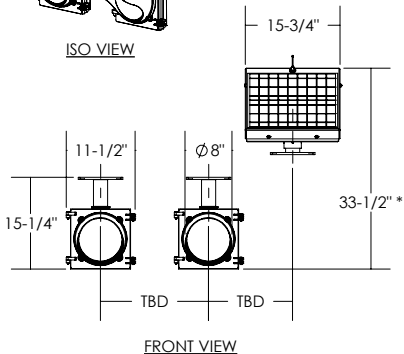
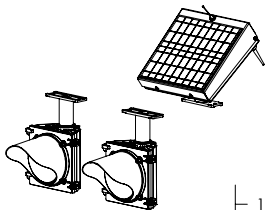


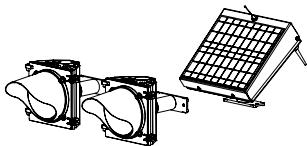
* - MOUNTED ON A $\phi 4$ " MAST ARM



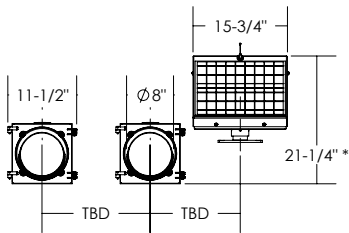
Dimensions are in Inches $\pm 1/16$ "

SZ-3408-DM SPEC 20W, VERTICAL

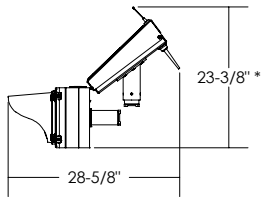
* - MOUNTED ON A $\varnothing 4$ " MAST ARM



ISO VIEW



FRONT VIEW



SIDE VIEW

Dimensions are in Inches $\pm 1/16$ "

SZ-3408-DM SPEC 20W, HORIZONTAL