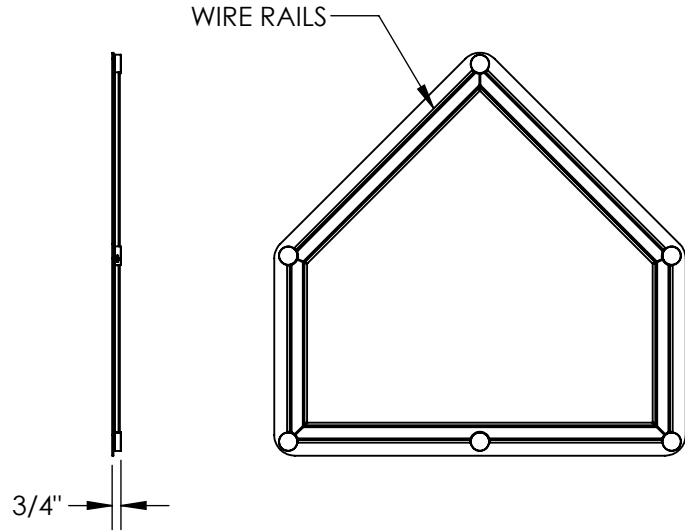
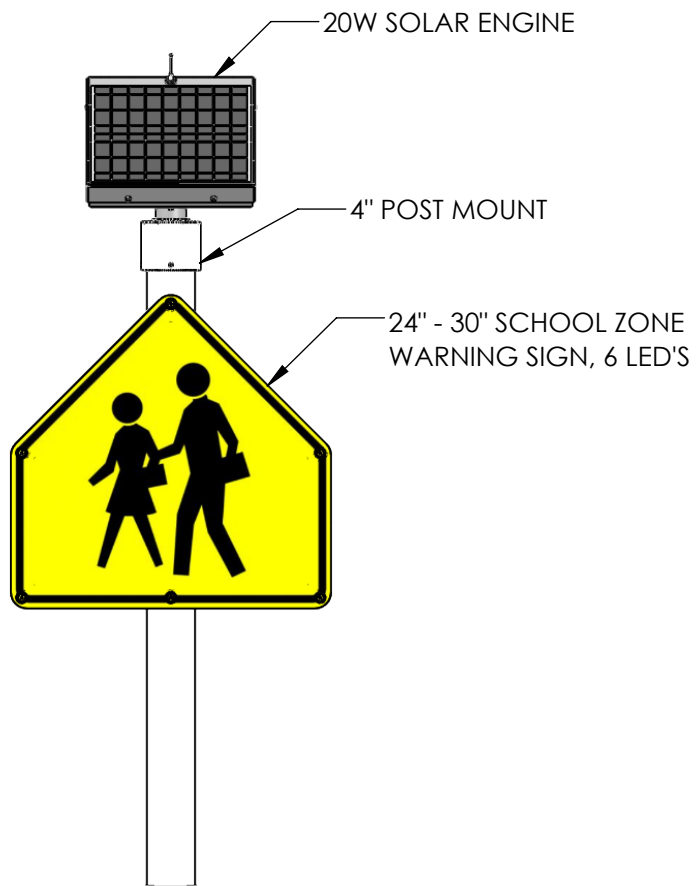


FRONT VIEW

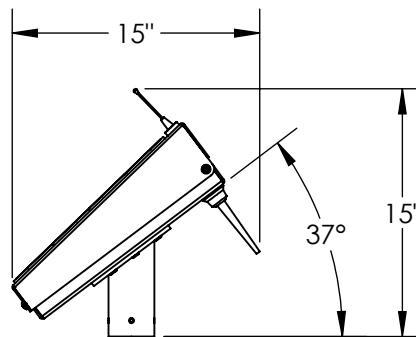
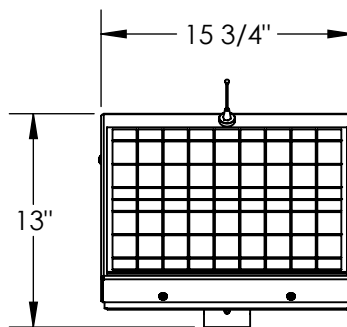


REAR VIEW

SIGN DETAIL



24" - 30" SCHOOL ZONE WARNING -20W



20W SOLAR ENGINE DETAIL