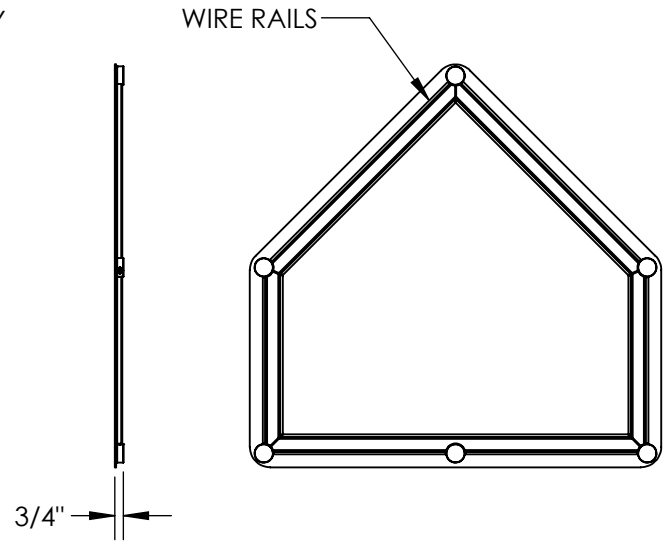
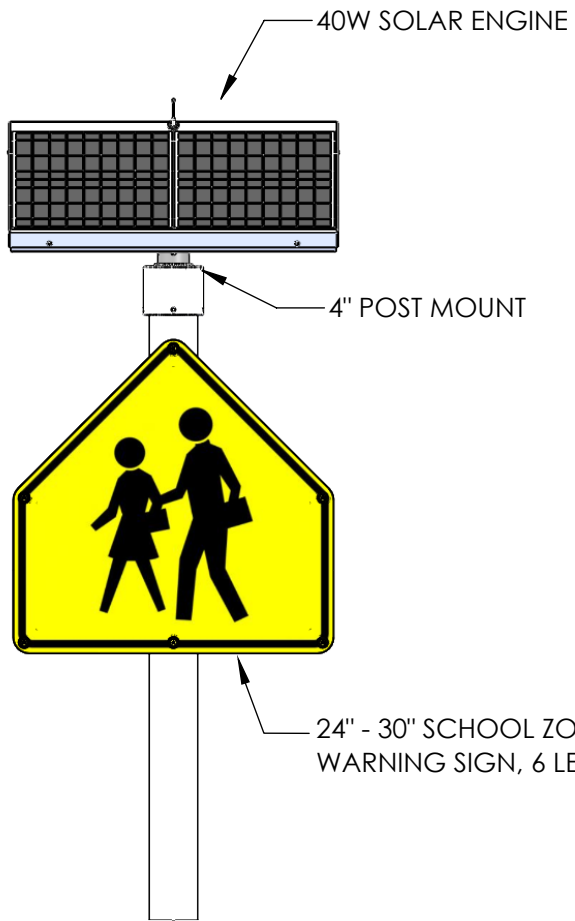


FRONT VIEW

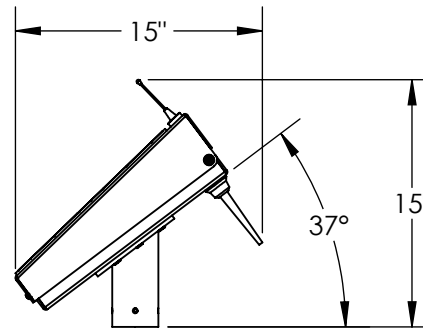
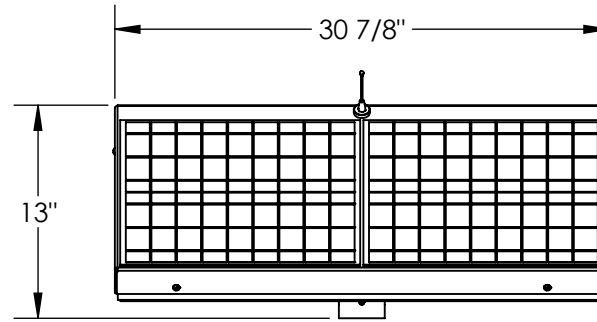


REAR VIEW

SIGN DETAIL



24" - 30" SCHOOL ZONE WARNING SIGN - 40W



40W SOLAR ENGINE DETAIL