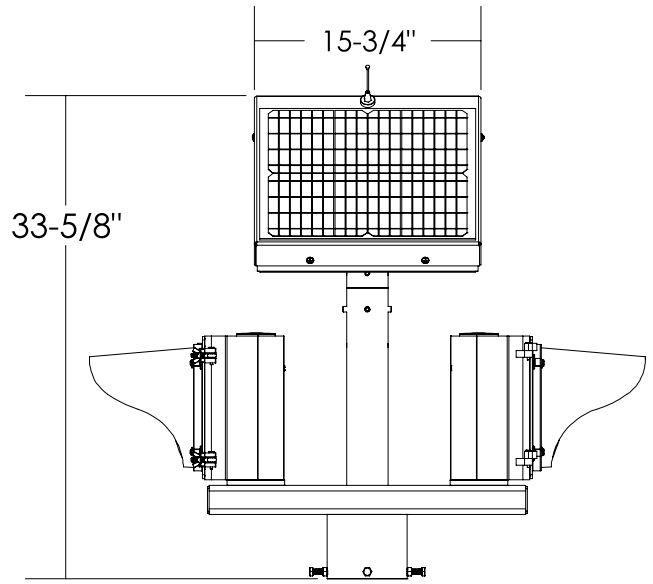
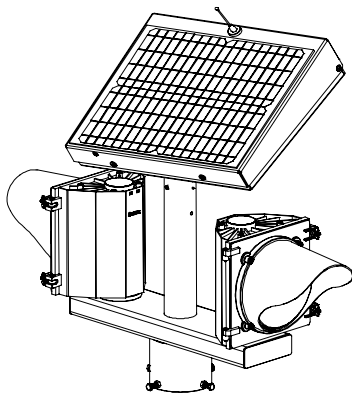


SIDE VIEW



FRONT VIEW



ISO VIEW

TOP VIEW

