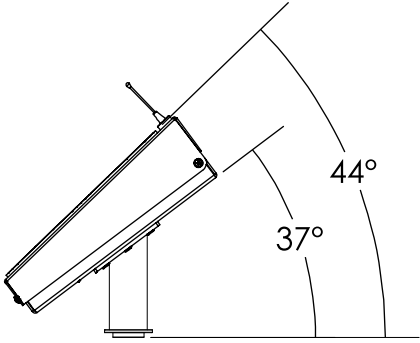
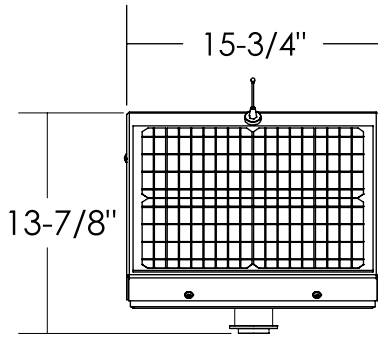


Dimensions are in Inches $\pm 1/16$ "

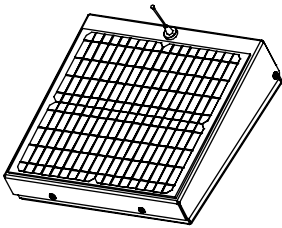
AB-4420 STANDARD ANGLE SPEC



SIDE VIEW



FRONT VIEW



ISO VIEW

TOP VIEW

